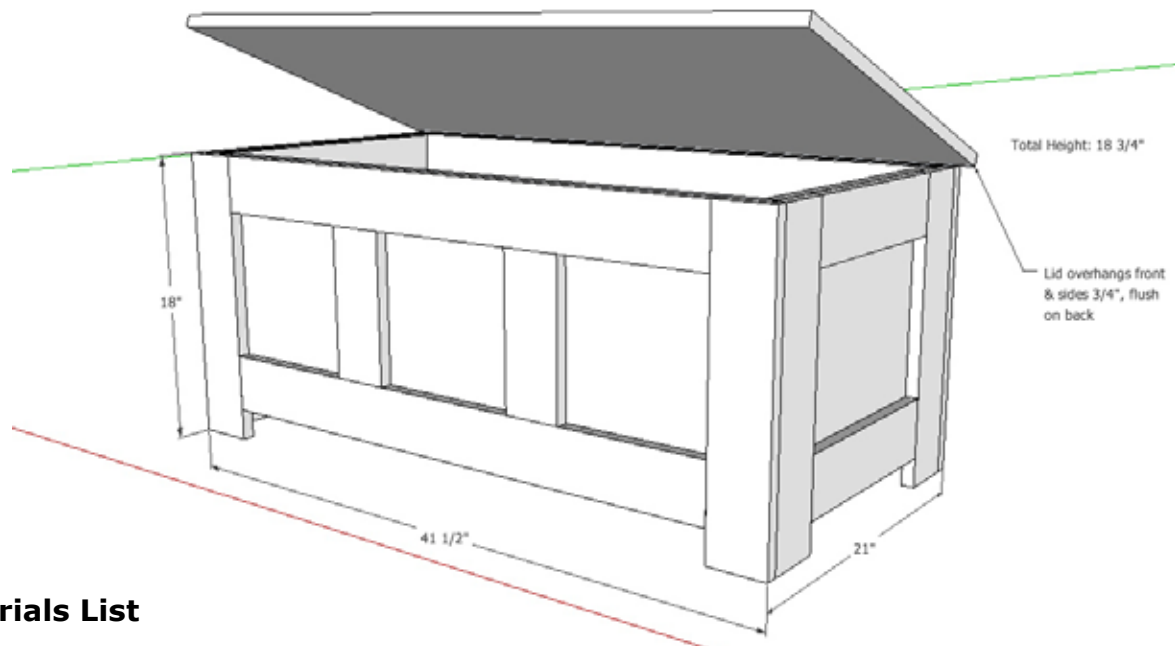


Craftsman-esque Chest Plans



Materials List

- 1 - Sheet of 3/4" MDF or A1 Plywood cut into 1x16 boards (see knockoffwood.blogspot.com)
- 1 - Sheet of 3/4" MDF or A1 Plywood cut into 19 1/2" x 40" for bottom and 21 3/4" x 43" for top
- 30 feet 1 x 4 boards (Extra if you plan to trim the back)

**If you are confident in your accuracy in cutting wood, you can do this with five 6' boards and almost no waste. I am still a newbie when it comes to measuring, so if you are too, you might want to do it with 8' boards. I'm going to.*

Hinges for lid (however you wish to attach them.)

Cut List

- 1 - 3/4 Plywood @ **21 3/4" x 43"** (Top)
- 1 - 3/4 Plywood @ **18" x 40"** (Bottom)
- 2 - 1x16 @ **40"** (Front and back)
- 2 - 1x16 @ **18"** (Sides)
- 8 - 1x4 @ **18"** (Legs)
- 4 - 1x4 @ **12 1/2"** (Side Trim)
- 4 - 1x4 @ **34 1/2"** (Front and Back Trim)
- 2 - 1x4 @ **9 1/16"** (Front Center Trim pieces, cut 4 if you would like to trim the back as well)

Cut legs from two 6' (or 8') boards

Cut front & back trim pieces from two 6' (or 8') boards

Cut side trim and center front trim from one 6' board (or your leftovers from your 8' boards)

Tools

- Saw
- Square
- Measuring Tape
- Screwgun with countersink bit and drill bit
- Finish nailer shooting 2" nails
- Hand Sander

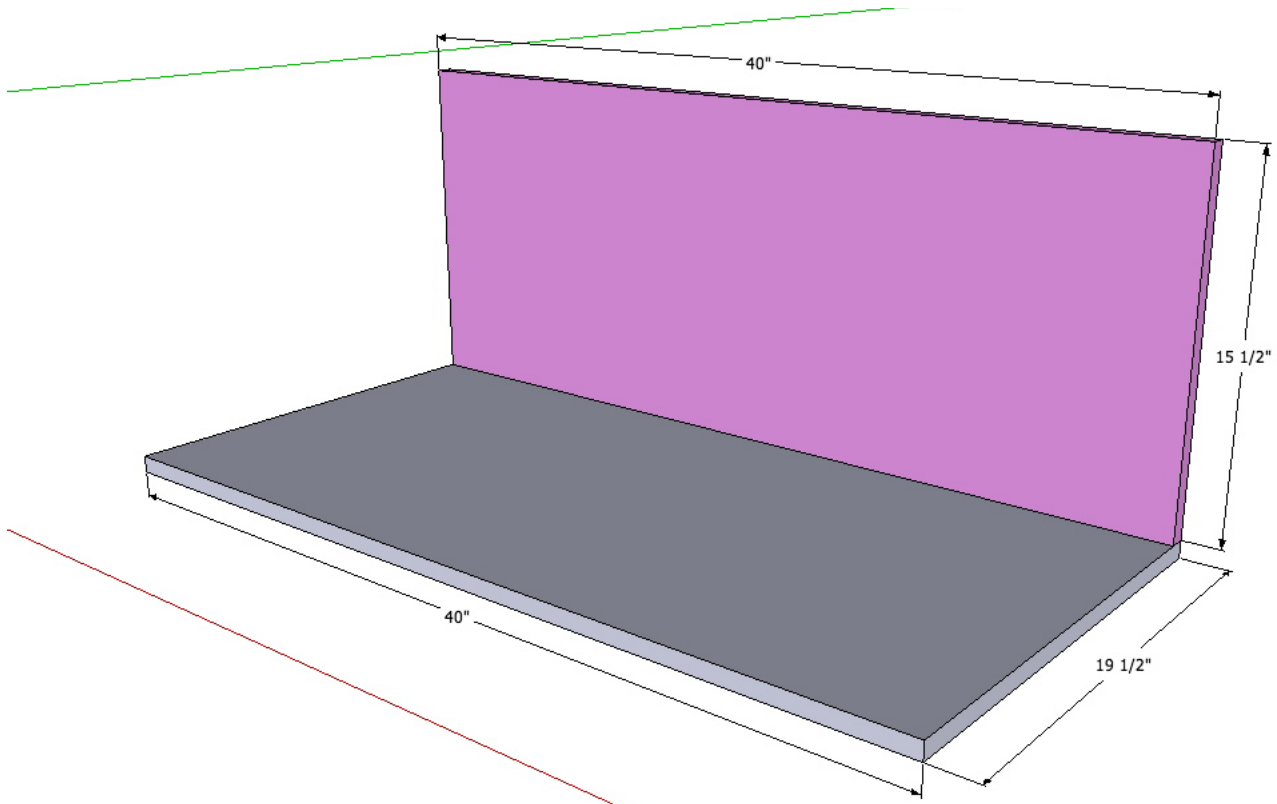
While I hope that these are accurate plans, I cannot guarantee accuracy, or be held liable for any errors. I have not built this yet! It is recommended that you draw out the plans and have a clear understanding of how the project will fit together before beginning. I hope that if you do find a flaw in my plans, you will contact me immediately

Inspired by Ana White of Knock Off Wood (<http://knockoffwood.blogspot.com>)

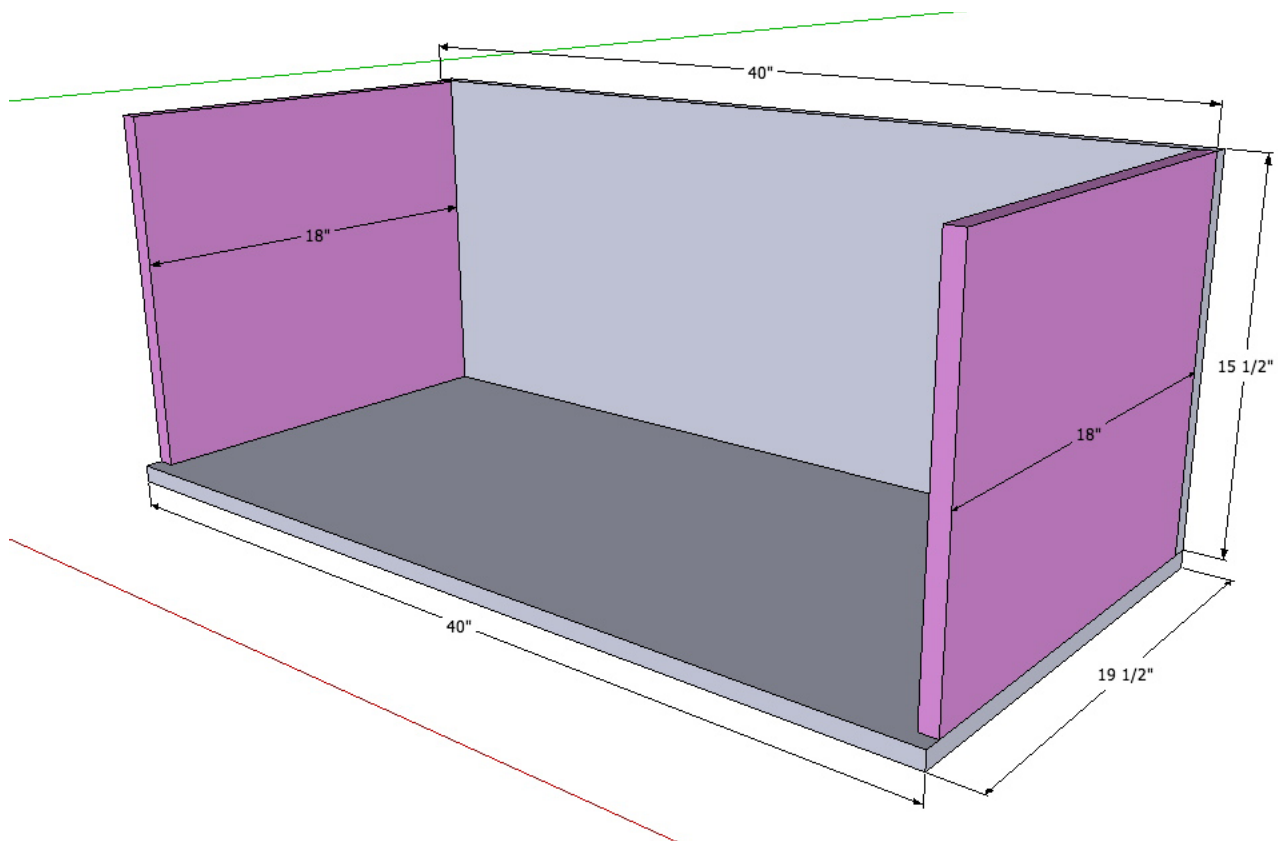
General Instructions

Work on a clean level surface. Always wear appropriate eye and ear protection. Always use glue. Predrill and countersink your screws. Avoid fastening MDF within 1" of edges. Measure and mark out your joints prior to fastening. Check for square after each step. Keep outside edges flush.

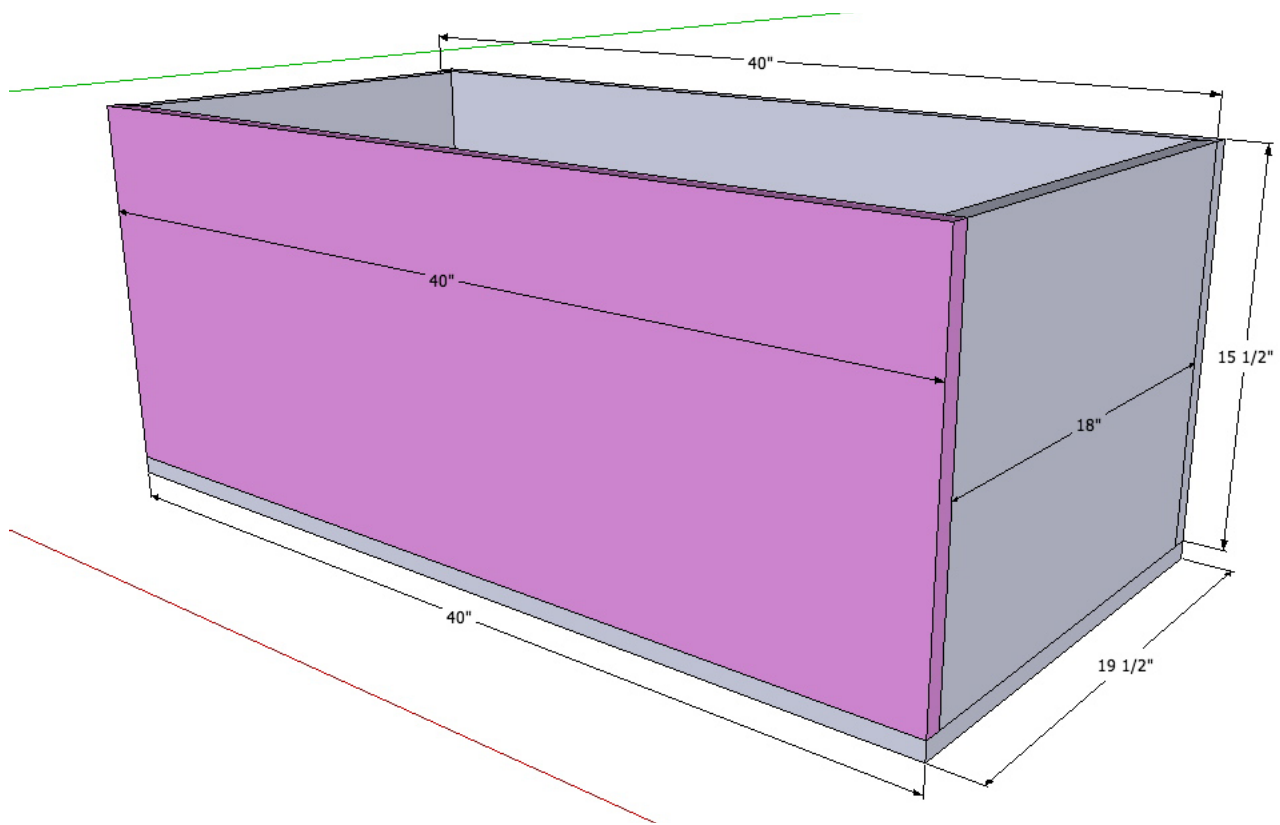
1. Attach back to bottom. Begin by fastening the bottom to the back, as shown below. Then fasten the sides to the back. Use the screws and glue.



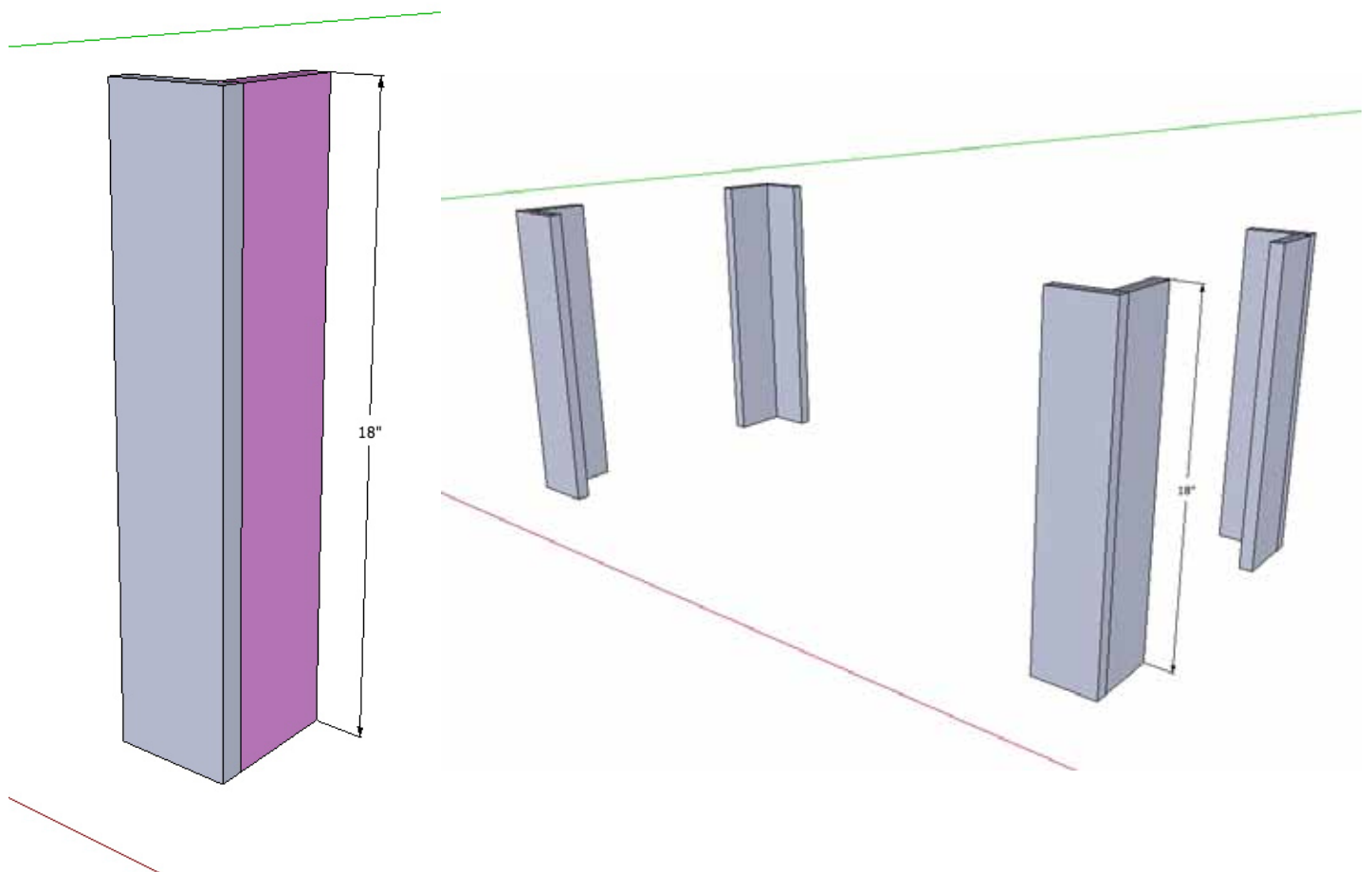
2. Attach sides to back and bottom. Use the screws and glue.



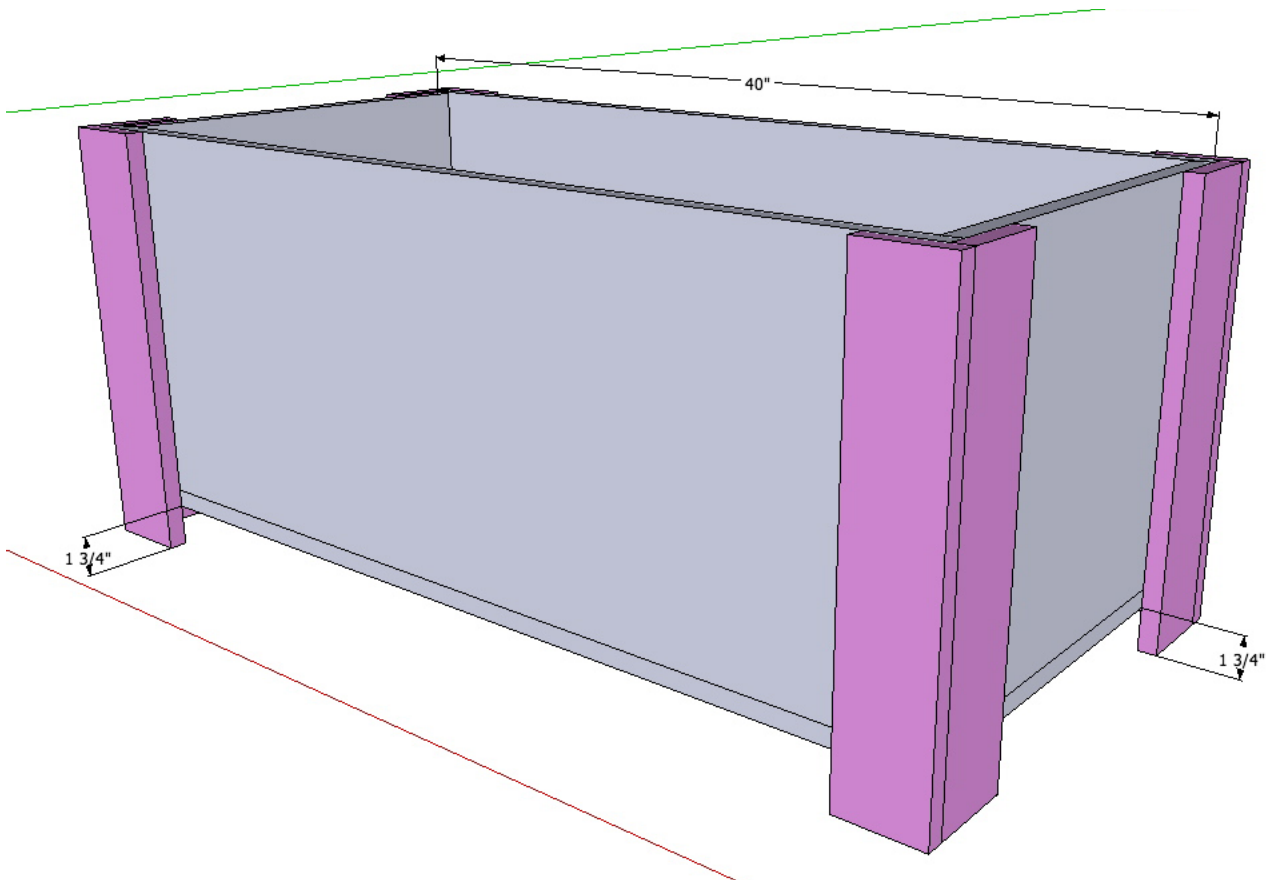
3. Attach front to sides and bottom. Use the screws and glue.



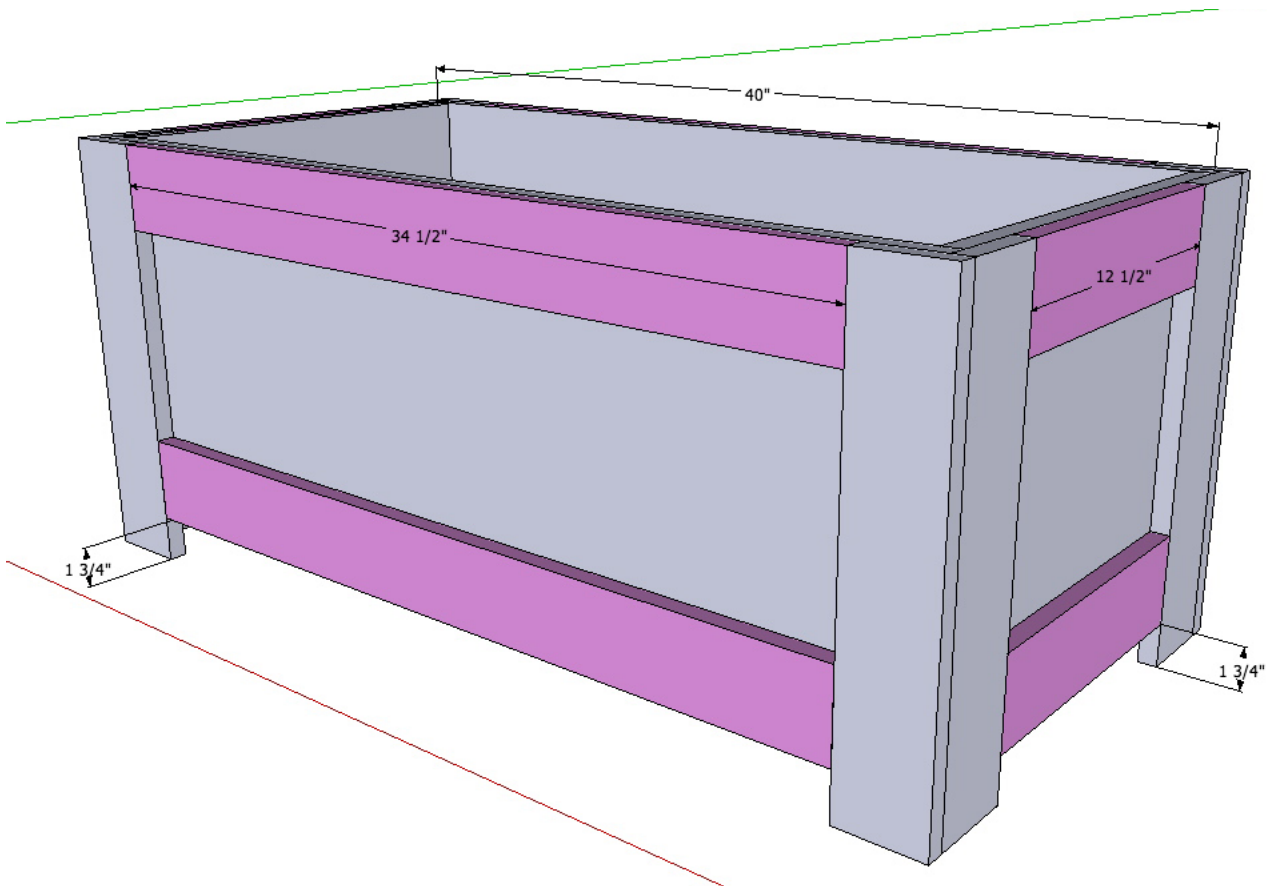
4. Construct legs. Use the screws and glue.



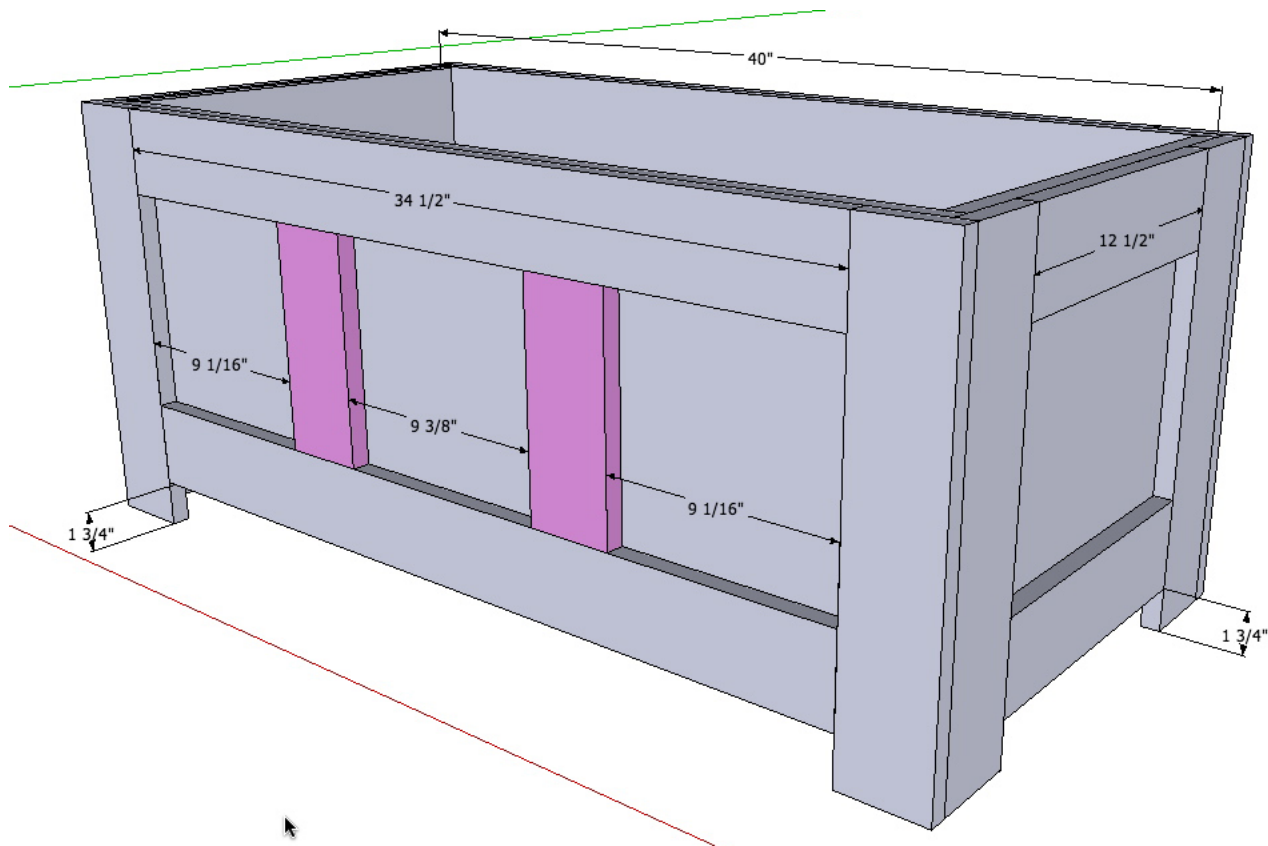
5. Attach legs to box. Use the screws and glue. Legs will extend 1 3/4" below base of box.



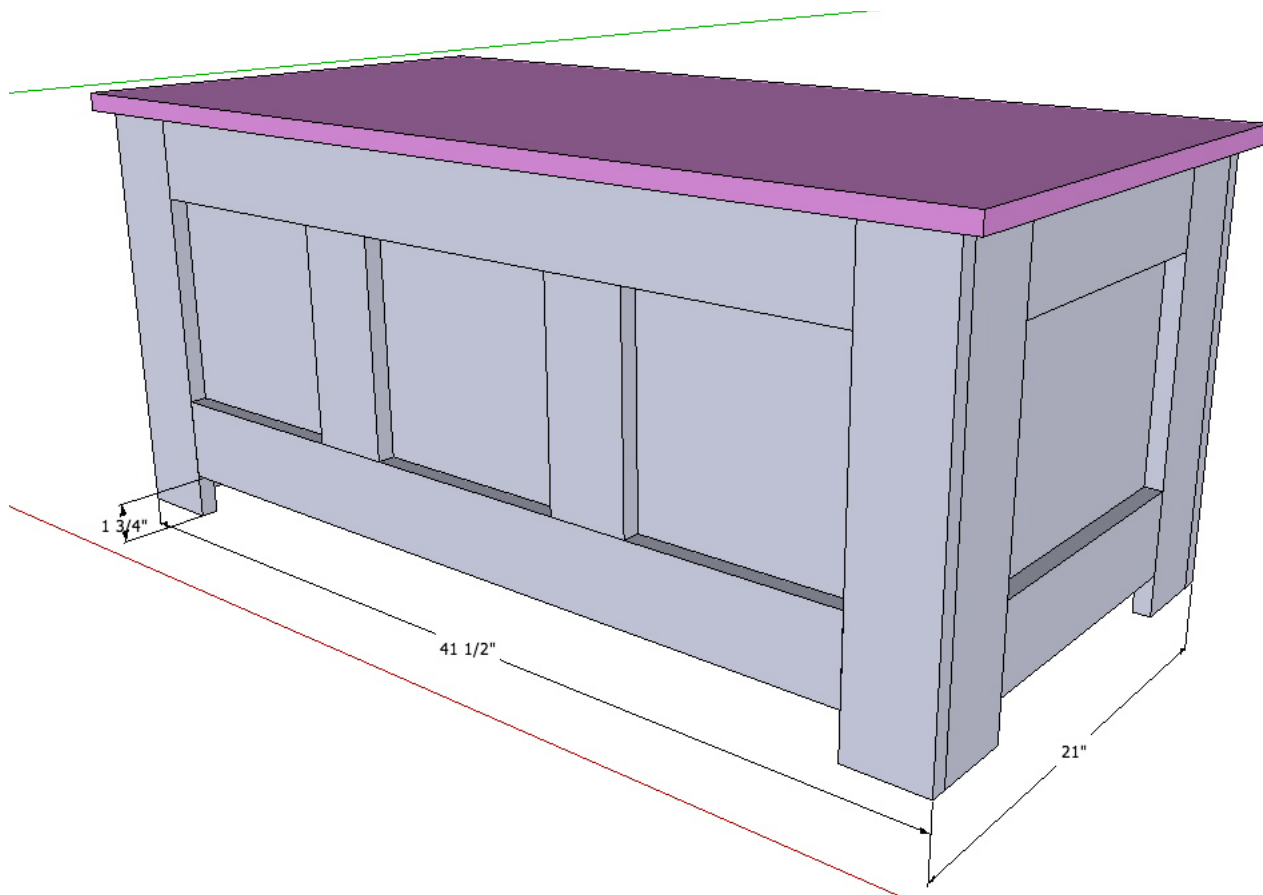
6. Attach front and side trim pieces. Glue and use the 2" finish nailers and nail through the sides.



7. Attach front inside trim pieces. As shown below, glue and use the 2" finish nailers and nail through the sides.



8. Mark lid and add hinges. Lid will overhang 3/4" on front and sides, flush with back.



9. Finishing. Fill all your holes, sand all surfaces and finish as desired!